

# **Addendum**

# **Bedroom Slide-out Manual Override**

**2005 Neptune®**  
**2005 Admiral®**



The information printed here reflects product design, fabrication, and component parts at the date of printing. The manufacturer reserves the right, at any time, to make changes in product design or material or component specifications as its sole option, without notice. This includes the substitution of components of a different brand or trade name, which will result in comparable performance. All information printed in this document is subject to change after the date of printing. Due to product improvements, changes during the model year and/or transcription errors that may occur, information represented within the owner's manual and/or this document may not be accurate at the time of your purchase. Please confirm any information with your dealer.

©Monaco Coach Corporation. All rights reserved. Admiral®, Neptune® and Holiday Rambler® are registered trademarks of Monaco Coach Corporation. All other trademarks or registered trademarks are property of their respective holders. Brand name products of other companies mentioned in this addendum are not endorsed by Monaco Coach Corporation.

The following information supersedes the information published in the 2005 Neptune Owner's Manual, **Section 5 - Equipment** under *Manual Override - Bedroom Slide-out* on pages 176 - 177 and the 2005 Admiral Owner's Manual, **Section 5 - Equipment** under *Manual Override* on page 167.

## Manual Override

If the slide-out room does not respond from the switch, check that all the safety features are in place.

- The ignition key is **OFF**.
- The parking brake is applied.
- The battery cut-off switch is **ON**.
- The house batteries are fully charged.
- Ensure the lock bar (if applicable) is removed.

### If the Slide Room Fails to Operate:

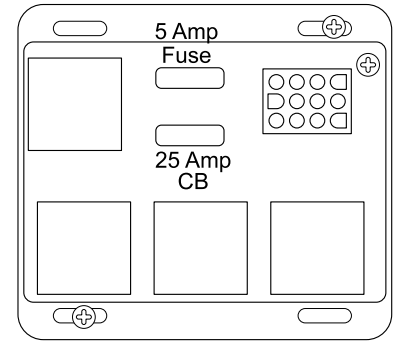
Check the fuse and auto-reset circuit breaker on the slide-out relay module located in the black box in the curbside bay. If the fuses and circuit breakers test okay, it will be necessary to manually override the slide-out mechanism. Follow the steps below to manually override the slide-out room:

### **WARNING:**

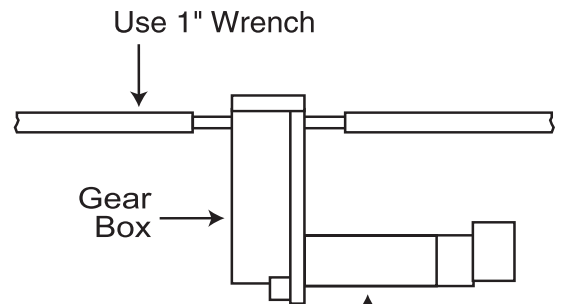
**DO NOT work on the slide-out system unless the battery is disconnected. Make sure the floor is clean before retracting the slide-out room.**

### Manual Override Procedure:

1. The bedroom slide-out motor is located under the bed. Lift the bed and remove the access panel. The main slide and wardrobe motors are located inside the exterior storage bays under the slide-outs.
2. Remove 12 Volt DC from the motor by disconnecting the plug from the slide-out motor to the power supply.
3. Use a 1" wrench (for main and wardrobe slides) or a 3/4" wrench (for the bedroom slide) to turn driveshaft and retract room.
4. Once the slide room has been manually retracted, reconnect power supply. This is necessary to stop the slide room from moving once retracted.
5. Take the motorhome to an authorized repair center.

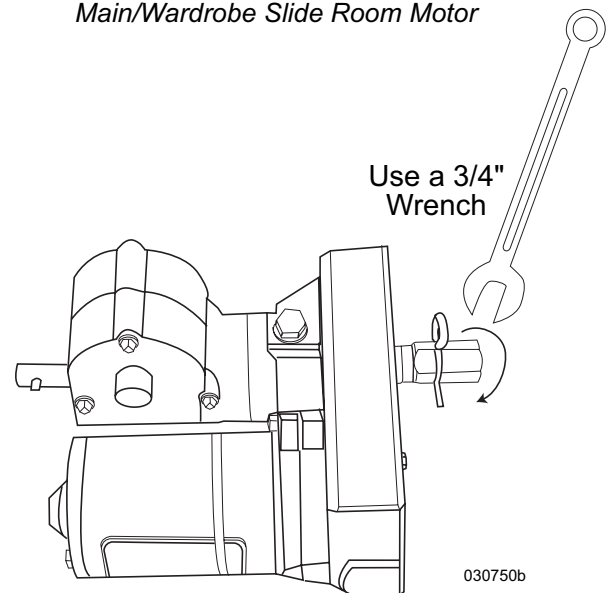


080429



030749e

Main/Wardrobe Slide Room Motor



030750b

Bedroom Slide Room Motor



**MONACO®**

**Monaco Coach Corporation**

91320 Coburg Industrial Way

Coburg, OR 97408

800-634-0855

[www.monaco-online.com](http://www.monaco-online.com)

**Warranty/Technical Support**

Toll Free 877-466-6226



**HOLIDAY  
RAMBLER®**