

***Girard Awning
Addendum***

2005

Navigator

The information printed here reflects product design, fabrication, and component parts at the date of printing. The manufacturer reserves the right, at any time, to make changes in product design or material or component specifications as its sole option, without notice. This includes the substitution of components of a different brand or trade name, which will result in comparable performance. All information printed in this document is subject to change after the date of printing. Due to product improvements, changes during the model year and/or transcription errors that may occur, information represented within the owner's manual and/or this document may not be accurate at the time of your purchase. Please confirm any information with your dealer.

The following information supersedes the information published in the 2005 Navigator Owner's Manual in Section 5 (Equipment), pages 237-240. Please utilize the information provided henceforth.

©Monaco Coach Corporation. Holiday Rambler. All rights reserved. All other trademarks or registered trademarks are property of their respective holders. Brand name products of other companies mentioned in this addendum are not endorsed by Monaco Coach Corporation.

ATG040125

PATIO AWNING - GIRARD (*Optional*)

The Girard Lateral Arm Awning extends and retracts by remote control, providing protection from the sun.

Features:

- Remote control operation.
- Retractable arms use twin cables for increased fabric tension.
- All aluminum hardware is powder coated to give long-lasting protection for both housing and mechanical parts.
- 100% acrylic fabric is weatherproof, permeable to air and resistant to mildew, rotting and fading.
- Motorized operation, including a manual crank override for emergency retract.
- Wind sensor to automatically retract the awning during windy conditions.
- The electric motor is housed in the roller tube where it is protected from the elements and view.

Extending the Awning:

The awning operates from 120 Volts AC. Hook to shore power, start the generator or turn on the inverter. The ignition must be off for the awning to operate. The awning requires 10' of lateral side clearance.

- Push and release the upper button on remote. The awning will automatically extend full distance. Awning travel can be stopped by pressing the center button.

CAUTION:

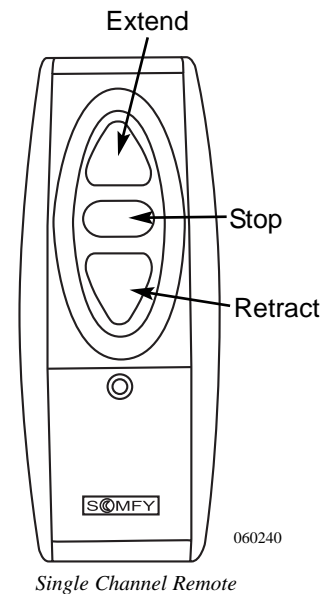
It is strongly recommended to extend the awning full distance for maximum strength. To prevent damage, retract the awning during gusting winds or inclement weather. Rainwater can quickly collect (pool) on the canvas and overload awning hardware, resulting in damage.

NOTE:

The awning motor is not designed for continuous use. In the event the motor is used to excess, it will automatically shut off and remain inoperative until the circuit breaker inside the motor cools down and automatically resets. Awning run time should not exceed four to five minutes per hour. If the breaker trips it will automatically reset in 30 minutes to one hour depending on ambient temperature.

After Extending the Awning:

After the awning has fully extended, no further setup or hardware installation is necessary. The 120 Volt AC power supply must remain on for the awning to automatically retract in excess wind. The awning is equipped with a remote mounted anemometer (wind speed sensor) that detects wind speed and automatically retracts (requires 120 Volt AC) the awning when wind exceeds a preset speed for more than a few seconds. If the wind speed sensor retracts the awning, leave the awning retracted until wind subsides to prevent possible awning damage. The awning will not automatically open when wind subsides. Retract the awning in inclement weather conditions or when leaving the motorhome unattended.



Retracting the Awning:

- Clear away any leaves, pine needles or other debris by lightly tapping the awning from underneath using a broom handle or other instrument that will not harm the fabric.
- Press the lower button on remote to retract the awning. Awning travel can be stopped by pressing the center button.

NOTE:

If the fabric was wet when the awning was retracted, extend the awning at the soonest opportunity to allow the fabric to thoroughly dry.

Emergency Procedure

If the Patio Awning does not operate:

- Check to make sure the 120 Volt AC is on by hooking to shore power, starting the generator or turning on the inverter.
- Make sure ignition switch is off.
- Check the circuit breaker in the 120 Volt AC breaker panel located in the bedroom.
- The circuit breaker inside the awning motor may have tripped. Wait 30 minutes to one hour then retry. If the awning still does not respond, the awning can be manually retracted by using the supplied crank handle.



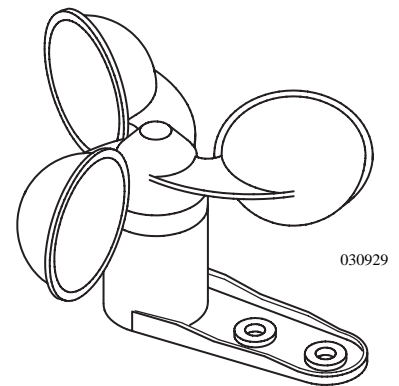
Manual Crank Handle

INFORMATION:

Follow the instructions for manual awning retraction in the equipment manufacturer's manual.

Wind Sensor:

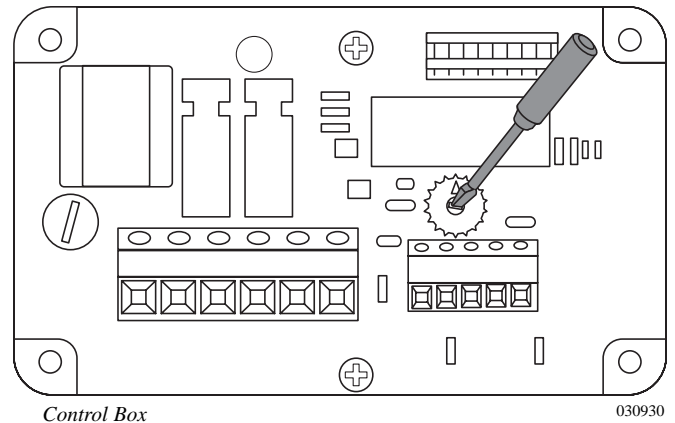
To prevent damage the Girard Patio Awning utilizes a Wind Sensor that will retract the awning in case of sustained winds. In order for the Wind Sensor to operate the motorhome requires to shore power, generator power or the inverter turned on. When wind speed exceeds a preset speed for more than a few seconds the awning will automatically retract. The Wind Sensor will override any switch or remote command. An adjustable potentiometer, located in the awning control box, sets the wind speed necessary to retract the awning. The potentiometer, adjustable between 12 and 31 mph, is preset from the factory at 22 mph. The control box is located in the forward cabinet of the curbside living room overhead. The access panel must be removed to adjust the wind speed sensor.



Wind Sensor: Located on the roof of the motorhome.

To Adjust the Sensor:

- Disconnect or turn off AC power. Turn off the interior house power (12 Volt DC).
- Unscrew the cover plate screws.
- Adjust the potentiometer clockwise to increase the amount of wind speed needed to retract the awning.
- Adjust the potentiometer counterclockwise to decrease the amount of wind speed needed to retract the awning.



CAUTION:

Setting the potentiometer above 25 mph may void the warranty.

Tips for Awning Use:

- Avoid leaving the awning partially extended during high wind conditions. The awning is at the strongest setting when fully extended.
- If the wind sensor retracts the awning it is recommend to leave the awning in until winds subside.
- Awning will not operate with the ignition key in the ON position.

FOUR-CHANNEL REMOTE *(Optional)*

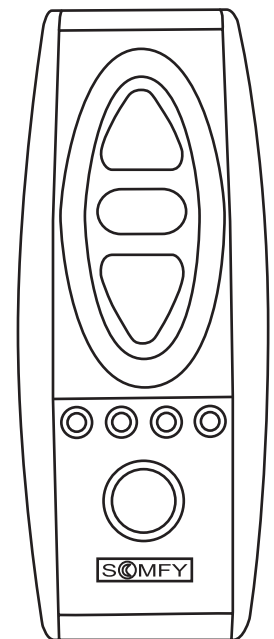
The four-channel remote can control up to four awnings and is used on the patio awning and the automatic window awnings.

To Operate the Remote:

- Press the round channel selector button at the bottom of the remote to toggle through the different channels.
- One of the four LED's above the channel selector that corresponds to the appropriate awning will illuminate.

NOTE:

After pressing the channel button for a fifth time, all four LED's will light at once and begin to blink. This does not denote a function. Press the selector button once more to continue use.



Four Channel Remote

060240b

WINDOW AWNING - GIRARD (Optional)

The Girard window awning uses 120 Volt AC to operate.

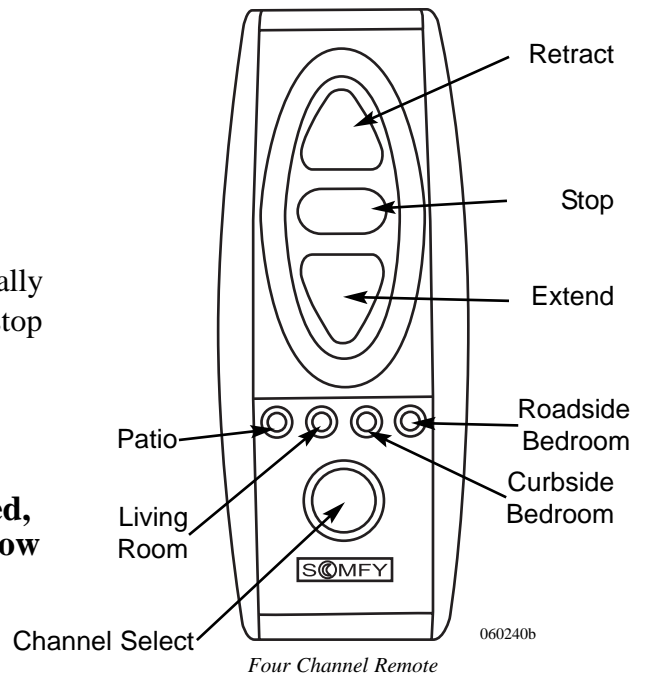
To Extend or Retract the Awning:

- Hook to shore power, start the generator or turn on the inverter.
- Make sure the ignition switch is off.
- Use the 4 channel remote to extend or retract the awning.

Awning will extend or retract full distance and automatically stop. Awning may be set to any position by pressing the stop button while extending or retracting. The awning is strongest in the fully extended position.

NOTE:

If the fabric was wet when the awning was retracted, extend the awning at the soonest opportunity to allow the fabric to thoroughly dry.



DOOR AWNING - GIRARD (Optional)

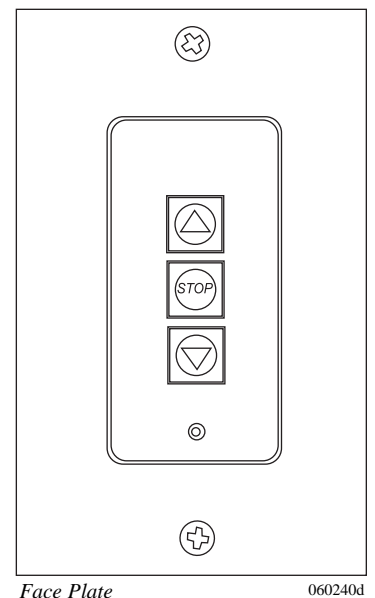
The Girard door awning uses 120 Volt AC to operate.

To Extend or Retract the Awning:

- Hook to shore power, start the generator or turn on the inverter.
- Make sure ignition switch is off.
- Use the switch above the passenger chair to extend or retract the awning. Awning will extend or retract full distance and automatically stop.
- Awning may be set to any position by pressing the center button on the control while extending or retracting. The awning is strongest in the fully extended position.

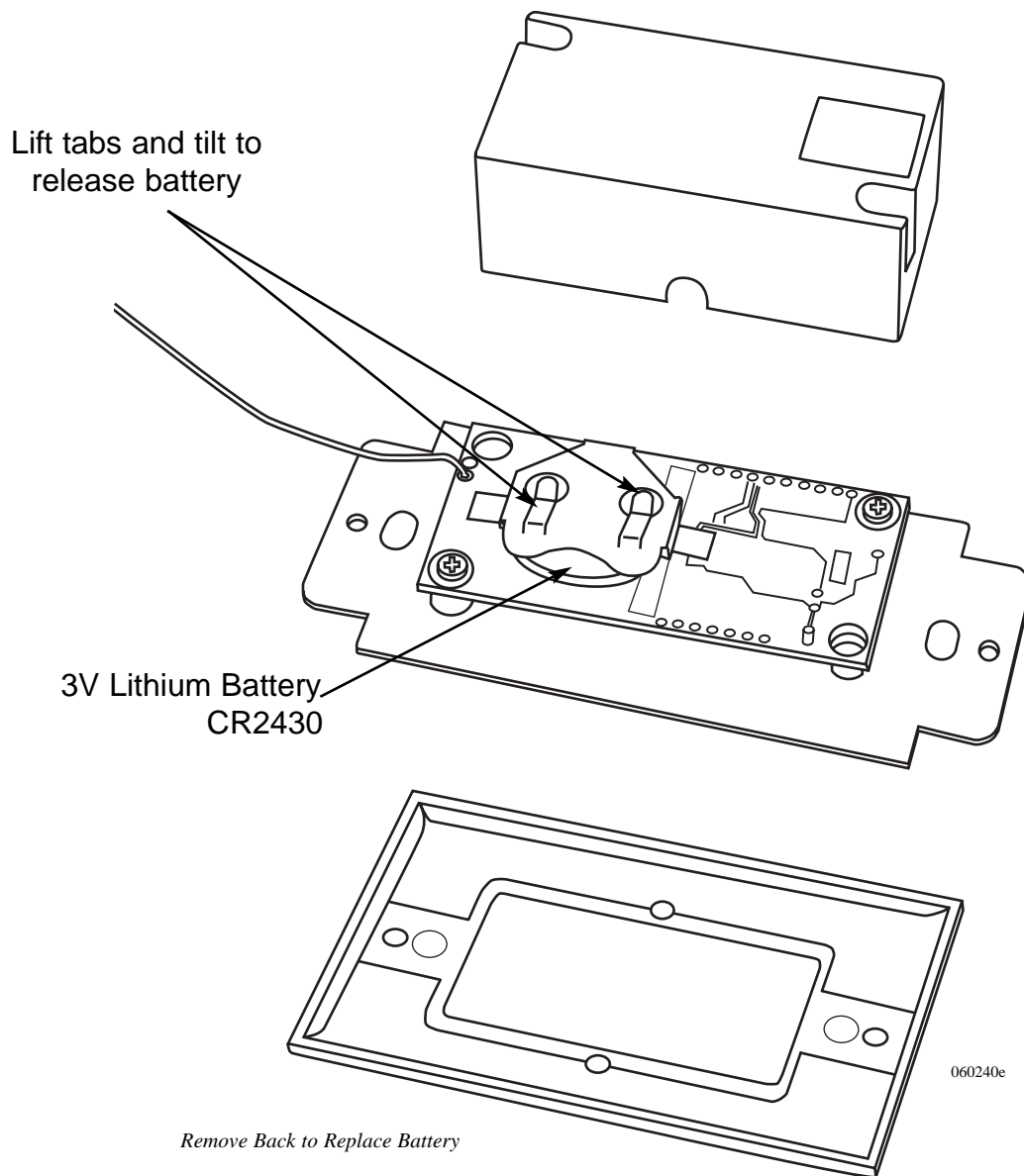
NOTE:

If the fabric was wet when the awning was retracted, extend the awning at the soonest opportunity to allow the fabric to thoroughly dry.



Changing the Front Door Awning Switch Battery:

- Remove switch plate.
- Remove switch unit from cabinet.
- Remove back cover.
- Lift tabs to release battery.
- Replace with new battery and reinstall.





HOLIDAY
RAMBLER®

Holiday Rambler
91320 Coburg Industrial Way
Coburg, OR 97408
800-634-0855
www.holidayrambler.com

Warranty/Technical Support
Toll Free 877-466-6226